

FABRICloud



Select from three (3) natural canopies:

- Sky
- Trees
- Shadows

PHOTOMETRIC PERFORMANCE

Light Output	Sky	Trees	Shadows
Luminous Flux (lm)	1800-5000	2000-3900	3300-6300
Avg. Luminance (cd/m ²)	55-160	60-125	100-200
Max. Luminance (cd/m ²)	220-265	220-250	250-275
Lumen Maintenance (L80)	75,000hr		

Values shown are a range per individual luminaire

ACOUSTIC PERFORMANCE

NRC Value*	0.55-0.95
ISO Classification	Class D

*Dependent on mounting option

DIMMING PERFORMANCE

Dimming Protocols	0/1-10V or DALI*
Minimum Dim Level	5%

*Available for "CE Compliant" models only

ELECTRICAL PERFORMANCE

Input Power	130 W
Input Voltage	120-277VAC
Input Frequency	Nom. 50-60 Hz
Operating Frequency	3000 Hz (compliant with IEEE 1789-2015 for flicker free)
Start-up Time	1.25 sec
Max. Inrush Current	60 A
Rated Lifetime	200,000 hr

FABRICloud is a large area acoustic LED luminaire that quite literally brings the feeling of the outdoors to interior spaces with vibrant skiescapes. Capture a piece of the sky with a single luminaire or create an expansive scenic canopy of natural illumination by grouping luminaires together in preset scenes, all without breaking the budget.

Available with four (4) mounting options:

- Suspended
- Surface Mount
- Grid (T-Bar) Lay-in
- Recessed (Drywall/Plaster) - *1x1 only

GENERAL

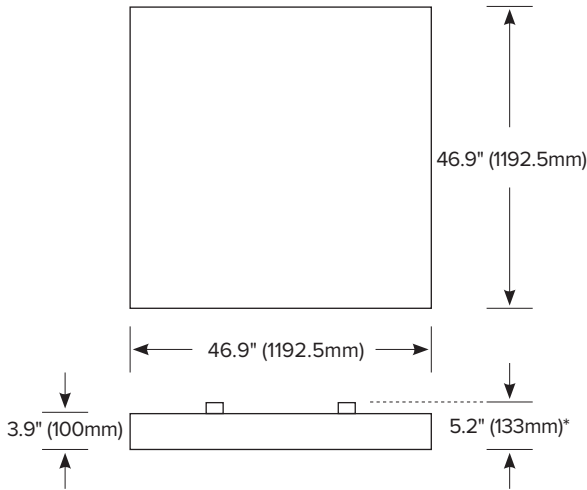
Location	Indoor, dry location only
Operating Temperature	0 – 40°C (32 – 104°F)
Storage Temperature	-40 – 85°C (-40 – 185°F)
Relative Humidity	90% max (non-condensing)
Diffuser Material	Woven Polyester Fabric (coated)
Frame Material	Aluminum
Fire Rating	ASTM E 84 Class A EN:13501-1 Class B s1d0
Weight (single luminaire)	14 kg (31 lb)

MOUNTING DETAILS

- **Grid (T-Bar) – Metric:** no additional mounting kit is required. For use with 24mm T-bar.
- **Grid (T-Bar) – Imperial:** an additional kit (LACC-GR-xx-K) is required that enables the luminaire to be mounted as a lay-in into a standard imperial T-bar ceiling. For use with 15/16" T-bar.
- **Surface Mount:** no additional mounting kit is required.
- **Recessed (Drywall/Plaster):** an additional kit (LACC-RC-K) is required to provide a trim for mounting within drywall or plaster ceilings. Available in 1x1 configuration only.
- **Suspended:** an additional kit (LACC-SP-xx-K) is required to provide mounting hardware for cable attachment to the luminaire. This kit also includes clips to secure luminaires to each other when grouped to form larger luminous ceiling elements.

DIMENSIONS

Dimensions are for a single luminaire = "1x1" configuration



*Surface Mount will have an opening of 1.3" (33mm) between the frame and the ceiling



Power & Control tray
(may be removed and mounted to ceiling)

Suspended Mounting Option (LACC-SP-K)

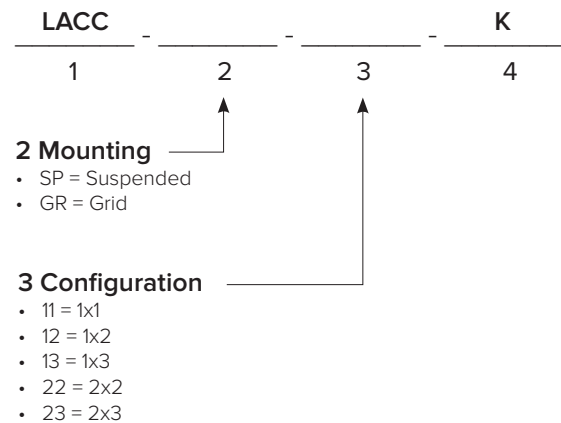
HOW TO ORDER

Luminaire



Mounting Kit

- Grid (T-bar) - Metric: not required
- Surface Mount: not required
- Recessed (Drywall/Plaster): LACC-RC-K
- Suspended & Grid (see below)



Example 1:
Metric T-Bar Lay-in, Trees, 2x2, White Finish, DALI
Order Code = LCL-TR-22-W-DAL

Example 2:
Imperial T-Bar Lay-in, Sky, 1x3, White Finish, 0-10V Dimming
Order Code = LCL-SK-13-W-010 plus LACC-GR-13-K

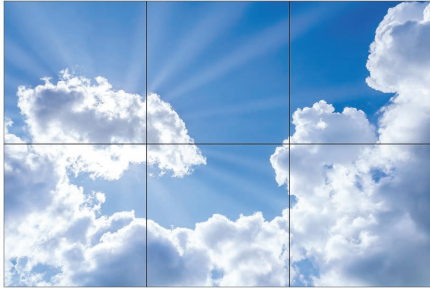
Example 3:
Suspended, Shadows, 2x3, Black Finish, 0-10V Dimming
Order Code = LCL-SH-23-B-010 plus LACC-SP-23-K

CERTIFICATION

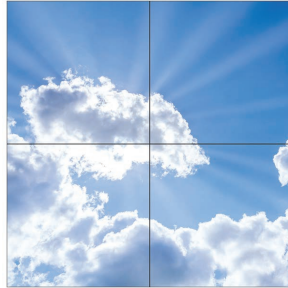


SCENES

Sky



2x3: LCL-SK-23-_-____
Light Output: 20,430 lm



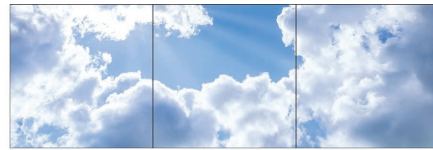
2x2: LCL-SK-22-_-____
Light Output: 13,870 lm



1x2: LCL-SK-12-_-____
Light Output: 8,930 lm

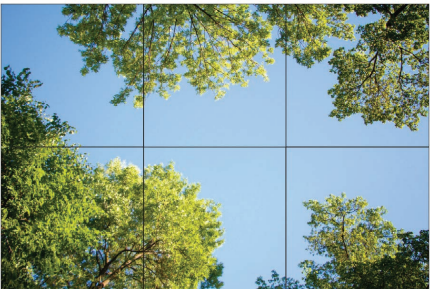


1x1: LCL-SK-11-_-____
Light Output: 3,140 lm



1x3: LCL-SK-13-_-____
Light Output: 12,950 lm

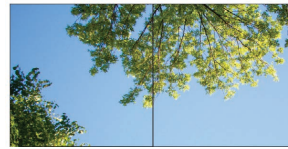
Trees



2x3: LCL-TR-23-_-____
Light Output: 17,460 lm



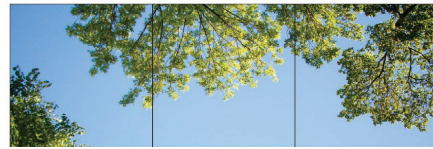
2x2: LCL-TR-22-_-____
Light Output: 11,830 lm



1x2: LCL-TR-12-_-____
Light Output: 5,980 lm

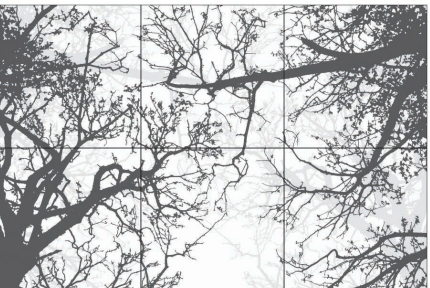


1x1: LCL-TR-11-_-____
Light Output: 2,510 lm

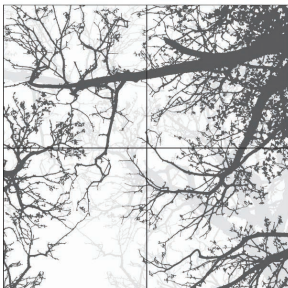


1x3: LCL-TR-13-_-____
Light Output: 8,600 lm

Shadows



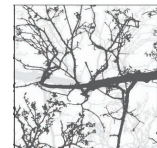
2x3: LCL-SH-23-_-____
Light Output: 27,740 lm



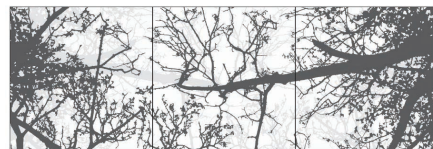
2x2: LCL-SH-22-_-____
Light Output: 19,970 lm



1x2: LCL-SH-12-_-____
Light Output: 8,750 lm



1x1: LCL-SH-11-_-____
Light Output: 5,480 lm



1x3: LCL-SH-13-_-____
Light Output: 12,670 lm